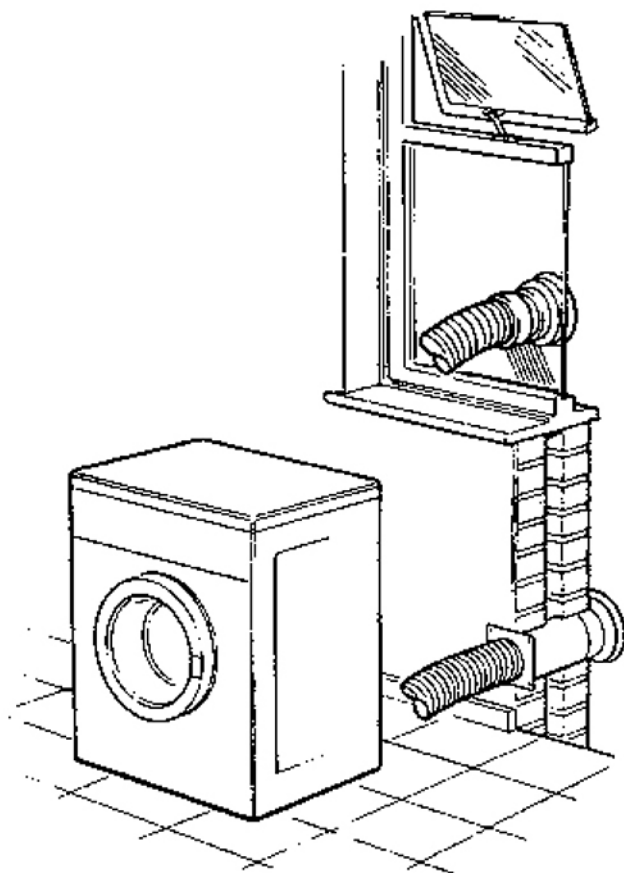




# EXHAUST GUIDE

## Gas dryer



**Ordering: [Gasbutik.com](http://Gasbutik.com)**

## INTRODUCTION

This set allows you to make a permanent ventilation installation through a wall of maximum thickness 410mm or through a window, to your dryer. For periods of disconnection from the window arrangement, use a cover cap. Whatever installation; if the distance between the appliance and the hole in the wall or window is more than 1 meter (39"), it requires that you have the optional extra long flue hose (2.7 meters = 8 feet) to replace the supplied shorter hose.

## CONTENTS

A Wall pipe

B External flange

C 3 long and 3 short screws and rawplugs

D Internal flange (for window connection)

E Cover cap when removing from window.

F Rubber seal (for window customization)

G Exhaust hose

H Interior wall plate

J Hose end piece

## WALL INSTALLATION

For a direct 'consistent' connection, mark X = 200mm and Y = 100mm (Fig. 1) Note; The Y dimension must be increased to 200mm to facilitate easier drilling if necessary.

1 Prepare the hole in the wall as shown (fig1)

2 From the outside, insert the wall pipe A with the external flange B mounted (fig. 2) and mark the location of the three fixing holes. Remove the external flange, boreholes and insert rawplugs.

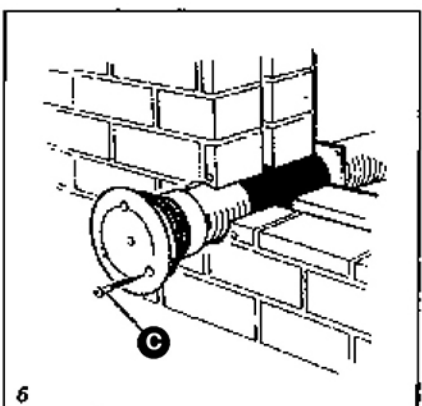
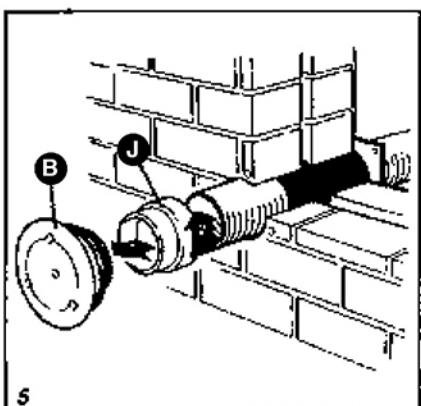
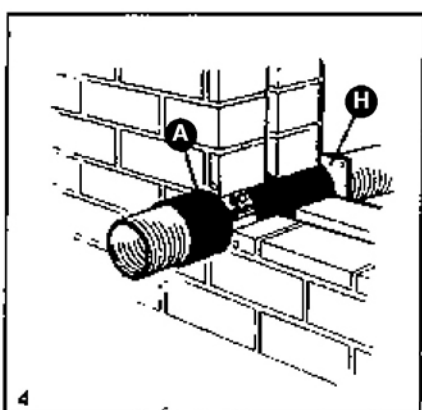
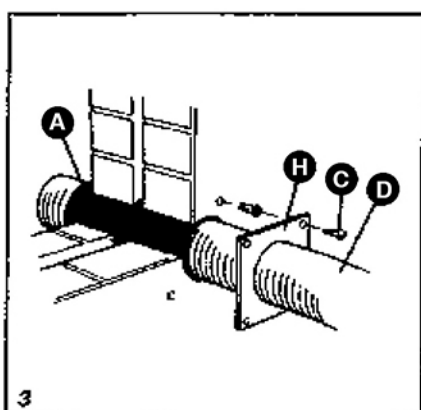
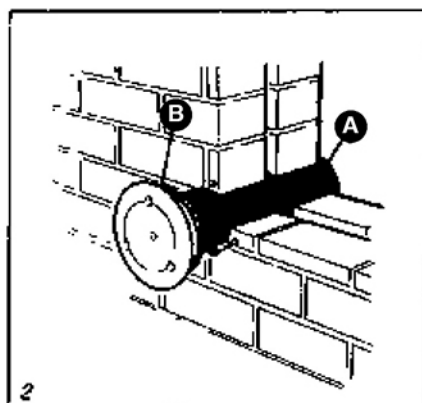
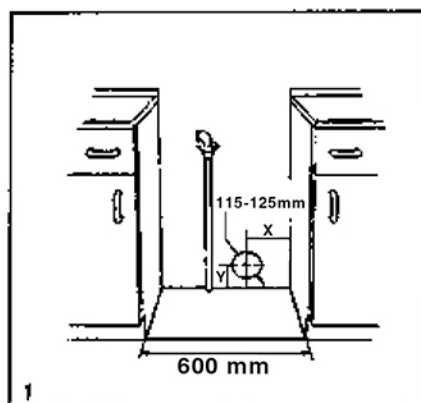
3 From the inside, thread the inner wall plate H onto the flue hose G and take the reduced end through the wall pipe a (Fig. 3). Press the inner wall plate up against the wall and mark the location of the holes. Remove the flue hose and plate, drill the holes and insert the rawplugs. Put the hose and plate in place and secure the location with four short screws C.

4 From the outside, slide the wall tube A back against the inner wall plate H and mark the location of the wall on the wall tube. Remove the wall pipe and cut the piece 60mm shorter than the wall mark (fig. 4)

5 From the outside, put the wall tube in place and slide it firmly against the inner wall plate. If necessary, pull the flue hose through the wall pipe as shown (Fig. 5) Insert the end piece J of the hose into the external flange B and screw the mounting counterclockwise onto the flue hose.

Note; The exhaust hose has welded in the left-hand wire.

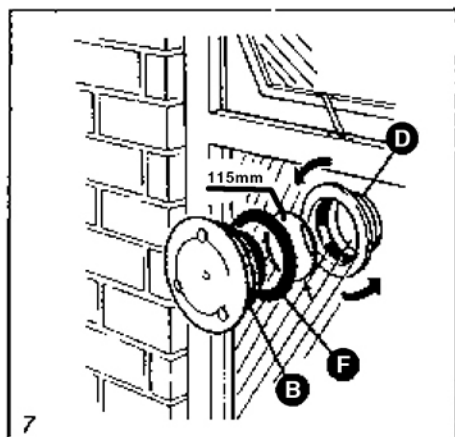
6 From the outside, slide the complete assembly back into the hole in the wall and secure the installation with three long screws C (Fig. 6)



## WINDOW INSTALLATION

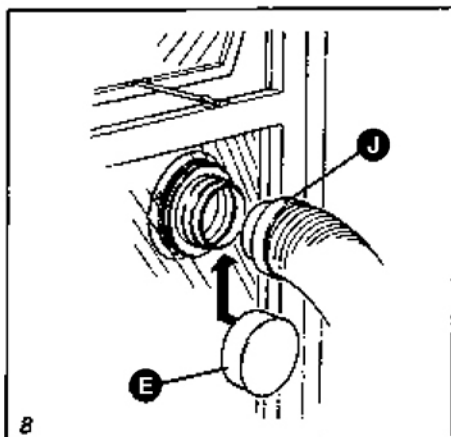
1 Select the location of your socket and prepare the hole in the window as shown (fig. 7). You can choose to reposition glass in the window hole.

2. Screw the external and internal flanges B and D together, as shown in the picture (Fig. 7), the set rubber seal F on the outside of the glass set.



3 Screw the end piece J of the hose counterclockwise on the flue hose and press it into place in the internal flange (fig.8)

Note; The end piece of the hose has a left-hand thread. The cap E is given to cover the plug when disconnected.



## DRYER CONNECTION

For normal connection, clip the slotted end of the exhaust hose G into the exhaust hole K at the back of your dryer (Fig. 9) and gently push the dryer back into place. Make sure that you do not push the flue hose flat.

